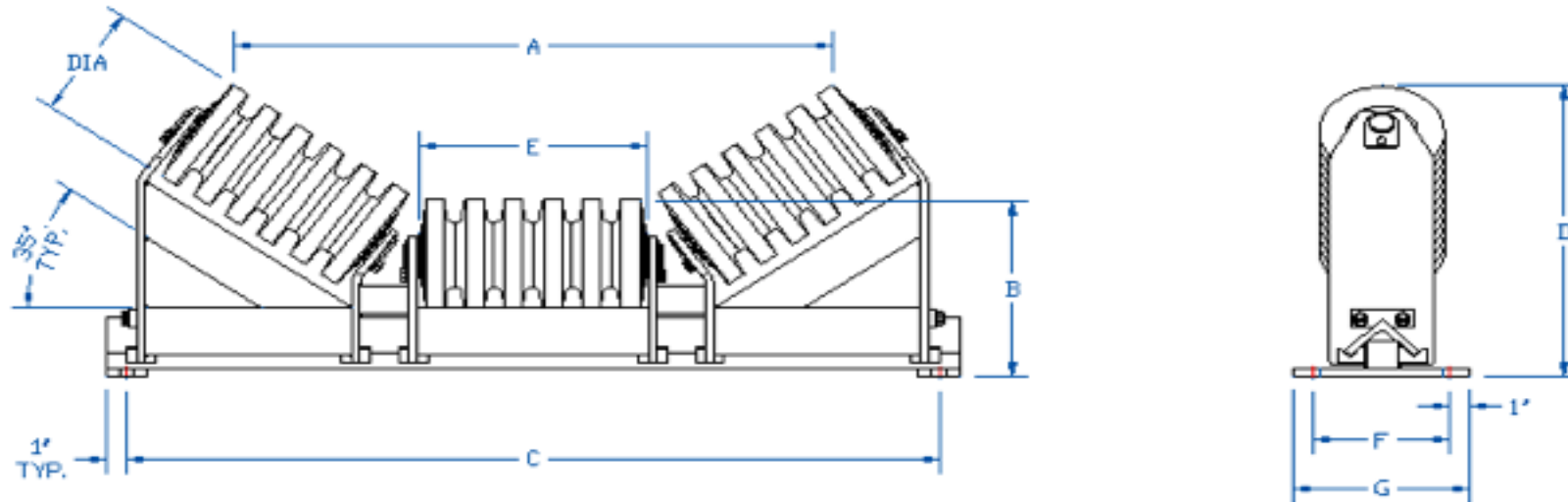




CUSTOMER: \_\_\_\_\_  
 CONTACT: \_\_\_\_\_  
 PHONE: \_\_\_\_\_  
 FAX: \_\_\_\_\_  
 E-mail: \_\_\_\_\_  
 DATE: \_\_\_\_\_

1880 Provinciale Street  
 Quebec, Quebec  
 Canada, G1N 4A2  
 Phone: 418-266-7777  
 Fax: 418-266-0121

QUANTITY OF FRAME: \_\_\_\_\_



| MATERIAL |                 | Coating    |                       | CEMA | B |  |
|----------|-----------------|------------|-----------------------|------|---|--|
| Frame    | STEEL           | Painted    | Epoxy                 |      |   |  |
|          | STAINLESS STEEL |            | Anti-rust Single coat |      | D |  |
| S304     | S316            |            | Polyurethane          |      | E |  |
| SHELL:   | STEEL           | Galvanized |                       |      |   |  |
|          | STAINLESS STEEL |            | hot                   |      |   |  |
|          | OTHER:          |            | cold                  |      |   |  |

|                 |       |       |                  |       |                 |                       |                     |
|-----------------|-------|-------|------------------|-------|-----------------|-----------------------|---------------------|
| ROLLER DIAMETER | DIM A | DIM B | C/C BOLT Frame C | DIM D | ROLLER LENGTH E | C/C BOLT Foot Plate F | Foot Plate LENGTH G |
|                 |       |       |                  |       |                 |                       |                     |

